



## What is the ToolReg?

The ToolReg regulator is an independent piston regulator that can be mounted on any pneumatic tool or installed in every compressed air system. It supplies a constant, exact outlet pressure regardless of the inlet pressure. The pressure is factory-set and cannot be changed. The ToolReg prevents “dynamic pressure waste.” This arises when the pressure and flow at the withdrawal point are unnecessarily higher than those specified by the manufacturer to achieve the desired function. Dynamic pressure waste is extremely costly, and a waste of energy that may be found throughout industry.

## ToolReg Benefits

- Safety: protects personnel, machinery & plant by avoiding pressure surges
- Ensures optimal air tool efficiency by supplying a constant pre-set pressure
- Prevents compressed air waste & limits excessive compressed air consumption. Reduces energy consumption.
- Lightweight, compact size and compatible with all pneumatic systems



Technical Specifications	
Max Inlet Pressure	25 bar / 365 psig
Outlet Pressures	30, 45, 60, 90, 105, 120 PSI
Thread Connection	Female/Female, Female/Male 1/4" - 3/4"
Max Flow	26-162 scfm
Temperature Range	0°C to 60°C (32°F to 140°F)
Weight and Dimensions	See table
Materials	Housing: Aluminum, Spring: Stainless Steel, O-Ring: Nitrile Rubber, Valve Seat: PPH, Spindle: Nickel Plated Brass

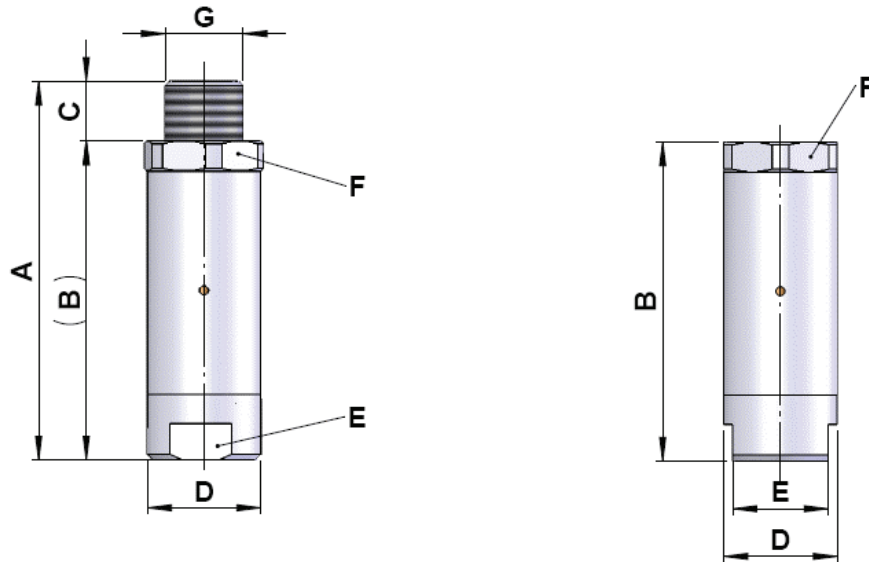
## Applications

- Pneumatic impact wrench
- Pipe plugs
- Pick and place units
- Nail guns
- Pneumatic power tools
- Lifting bags
- Pneumatic doors
- Workshop air lines
- Jackhammers

## Regulatory Compliance

- EN ISO 4414/ISO 4414 § 5.4.5.11.1 Machinery Directive 2006/42/EG
- OSHA USA: 1926 Safety & Health Regulations for Construction, Power-operated hand tools - 1926.302(b)(7) OSHA regulations (Standards - 29 CFR)
- OHSAS 18001 (to be replaced by ISO 45001) Occupational Health and Safety Standard

## Dimensions - See table for values



**Protect-Air USA**  
Miniature Regulators Distributed by  
**PROPORTION AIR**

877-406-3215

info@proportionair.com

Buy online at [ProtectAirUSA.com](http://ProtectAirUSA.com)

THREAD CONNECTION	MAX INLET PRESSURE	MAX REGULATED OUTPUT PRESSURE	MAX FLOW Pe = 180 PSI, Δ7.5 psi	TOLERANCES	WEIGHT	DIMENSIONS (in)						TOOLREG PART NUMBER
						A	B	C	D	E	F	
1/4" F/F, NPT	365 psig (25 bar)	30 psig	17 scfm	± 4.35 psig	1.16 oz/33 g		2.32		0.75	0.63	0.75	<b>PTR232AS1230</b>
1/4" F/M, NPT	365 psig (25 bar)	30 psig	17 scfm	± 4.35 psig	1.41 oz/40 g	2.72	2.32	0.40	0.75	0.63	0.75	<b>PTR232FS1230</b>
1/4" F/F, NPT	365 psig (25 bar)	45 psig	19 scfm	± 4.35 psig	1.16 oz/33 g		2.32		0.75	0.63	0.75	<b>PTR232AS1245</b>
1/4" F/M, NPT	365 psig (25 bar)	45 psig	19 scfm	± 4.35 psig	1.41 oz/40 g	2.72	2.32	0.40	0.75	0.63	0.75	<b>PTR232FS1245</b>
1/4" F/F, NPT	365 psig (25 bar)	60 psig	21 scfm	± 6 psig	1.16 oz/33 g		2.32		0.75	0.63	0.75	<b>PTR232AS1260</b>
1/4" F/M, NPT	365 psig (25 bar)	60 psig	21 scfm	± 6 psig	1.41 oz/40 g	2.72	2.32	0.40	0.75	0.63	0.75	<b>PTR232FS1260</b>
1/4" F/F, NPT	365 psig (25 bar)	75 psig	23 scfm	± 7.5 psig	1.16 oz/33 g		2.32		0.75	0.63	0.75	<b>PTR232AS1275</b>
1/4" F/M, NPT	365 psig (25 bar)	75 psig	23 scfm	± 7.5 psig	1.41 oz/40 g	2.72	2.32	0.40	0.75	0.63	0.75	<b>PTR232FS1275</b>
1/4" F/F, NPT	365 psig (25 bar)	90 psig	25 scfm	± 9 psig	1.16 oz/33 g		2.32		0.75	0.63	0.75	<b>PTR232AS1290</b>
1/4" F/M, NPT	365 psig (25 bar)	90 psig	25 scfm	± 9 psig	1.41 oz/40 g	2.72	2.32	0.40	0.75	0.63	0.75	<b>PTR232FS1290</b>
1/4" F/F, NPT	365 psig (25 bar)	105 psig	25 scfm	± 10 psig	1.16 oz/33 g		2.32		0.75	0.63	0.75	<b>PTR232AS12105</b>
1/4" F/M, NPT	365 psig (25 bar)	105 psig	25 scfm	± 10 psig	1.41 oz/40 g	2.72	2.32	0.40	0.75	0.63	0.75	<b>PTR232FS12105</b>
1/4" F/F, NPT	365 psig (25 bar)	120 psig	28 scfm	± 12 psig	1.16 oz/33 g		2.32		0.75	0.63	0.75	<b>PTR232AS12120</b>
1/4" F/M, NPT	365 psig (25 bar)	120 psig	28 scfm	± 12 psig	1.41 oz/40 g	2.72	2.32	0.40	0.75	0.63	0.75	<b>PTR232FS12120</b>
3/8" F/F, NPT	365 psig (25 bar)	30 psig	49 scfm	± 4.35 psig	2.12 oz/60 g		2.48		0.98	0.87	0.98	<b>PTR232AS1330</b>
3/8" F/F, NPT	365 psig (25 bar)	45 psig	49 scfm	± 4.35 psig	2.12 oz/60 g		2.48		0.98	0.87	0.98	<b>PTR232AS1345</b>
3/8" F/F, NPT	365 psig (25 bar)	60 psig	63 scfm	± 6 psig	2.12 oz/60 g		2.48		0.98	0.87	0.98	<b>PTR232AS1360</b>
3/8" F/F, NPT	365 psig (25 bar)	75 psig	63 scfm	± 7.5 psig	2.12 oz/60 g		2.48		0.98	0.87	0.98	<b>PTR232AS1375</b>
3/8" F/F, NPT	365 psig (25 bar)	90 psig	77 scfm	± 9 psig	2.12 oz/60 g		2.48		0.98	0.87	0.98	<b>PTR232AS1390</b>
3/8" F/M, NPT	365 psig (25 bar)	90 psig	77 scfm	± 9 psig	2.12 oz/60 g	2.95	2.48	0.47	0.98	0.87	0.98	<b>PTR232FS1390</b>
3/8" F/F, NPT	365 psig (25 bar)	105 psig	77 scfm	± 10 psig	2.12 oz/60 g		2.48		0.98	0.87	0.98	<b>PTR232AS13105</b>
3/8" F/F, NPT	365 psig (25 bar)	120 psig	92 scfm	± 12 psig	2.12 oz/60 g		2.48		0.98	0.87	0.98	<b>PTR232AS13120</b>
1/2" F/F, NPT	365 psig (25 bar)	30 psig	49 scfm	± 4.35 psig	3.17 oz/90 g		2.68		1.18	1.06	1.18	<b>PTR232AS1430</b>
1/2" F/M, NPT	365 psig (25 bar)	30 psig	49 scfm	± 4.35 psig	3.17 oz/90 g	3.27	2.68	0.20	1.18	1.06	1.18	<b>PTR232FS1430</b>
1/2" F/F, NPT	365 psig (25 bar)	45 psig	49 scfm	± 4.35 psig	3.17 oz/90 g		2.68		1.18	1.06	1.18	<b>PTR232AS1445</b>
1/2" F/M, NPT	365 psig (25 bar)	45 psig	49 scfm	± 4.35 psig	3.17 oz/90 g	3.27	2.68	0.20	1.18	1.06	1.18	<b>PTR232FS1445</b>
1/2" F/F, NPT	365 psig (25 bar)	60 psig	63 scfm	± 6 psig	3.17 oz/90 g		2.68		1.18	1.06	1.18	<b>PTR232AS1460</b>
1/2" F/M, NPT	365 psig (25 bar)	60 psig	63 scfm	± 6 psig	3.17 oz/90 g	3.27	2.68	0.20	1.18	1.06	1.18	<b>PTR232FS1460</b>
1/2" F/F, NPT	365 psig (25 bar)	75 psig	63 scfm	± 7.5 psig	3.17 oz/90 g		2.68		1.18	1.06	1.18	<b>PTR232AS1475</b>
1/2" F/F, NPT	365 psig (25 bar)	90 psig	77 scfm	± 9 psig	3.17 oz/90 g		2.68		1.18	1.06	1.18	<b>PTR232AS1490</b>
1/2" F/M, NPT	365 psig (25 bar)	90 psig	77 scfm	± 9 psig	3.17 oz/90 g	3.27	2.68	0.20	1.18	1.06	1.18	<b>PTR232FS1490</b>
1/2" F/F, NPT	365 psig (25 bar)	105 psig	77 scfm	± 10 psig	3.17 oz/90 g		2.68		1.18	1.06	1.18	<b>PTR232AS14105</b>
1/2" F/F, NPT	365 psig (25 bar)	120 psig	92 scfm	± 12 psig	3.17 oz/90 g		2.68		1.18	1.06	1.18	<b>PTR232AS14120</b>
3/4" F/F, NPT	365 psig (25 bar)	30 psig	88 scfm	± 4.35 psig	9.88 oz/280 g		4		1.58	1.34	1.58	<b>PTR232AS1530</b>
3/4" F/F, NPT	365 psig (25 bar)	60 psig	113 scfm	± 6 psig	9.88 oz/280 g		4		1.58	1.34	1.58	<b>PTR232AS1560</b>
3/4" F/F, NPT	365 psig (25 bar)	90 psig	138 scfm	± 9 psig	9.88 oz/280 g		4		1.58	1.34	1.58	<b>PTR232AS1590</b>
3/4" F/F, NPT	365 psig (25 bar)	120 psig	162 scfm	± 12 psig	9.88 oz/280 g		4		1.58	1.34	1.58	<b>PTR232AS15120</b>



**Protect-Air USA**  
Miniature Regulators Distributed by  
**PROPORTION AIR**



877-406-3215



info@proportionair.com



Buy online at [ProtectAirUSA.com](http://ProtectAirUSA.com)